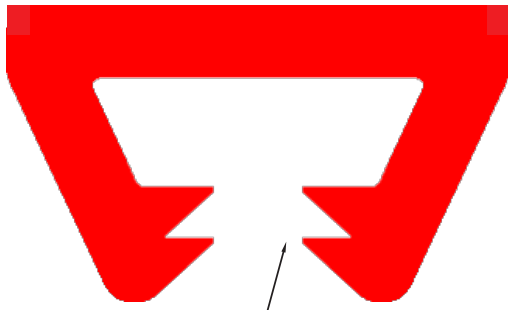


Expanded View Ringer Window Mull Trim

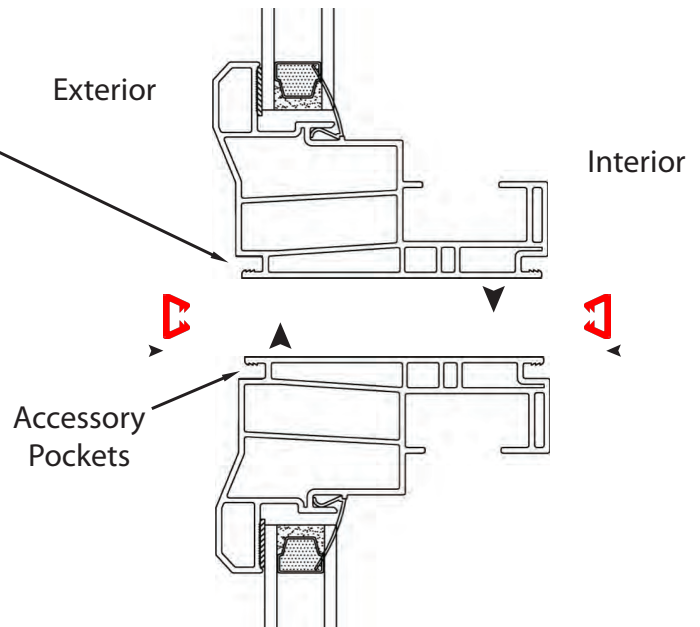


Windows in Black
Mull Trim in Red
For Illustration Purposes
Actual Colors of Trims
Match Windows

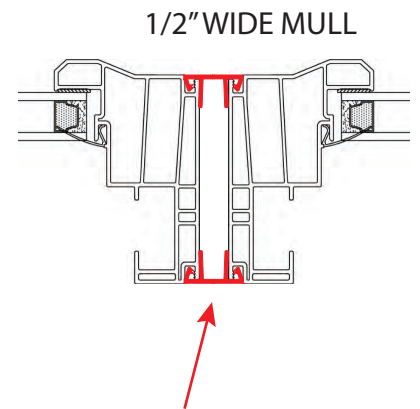
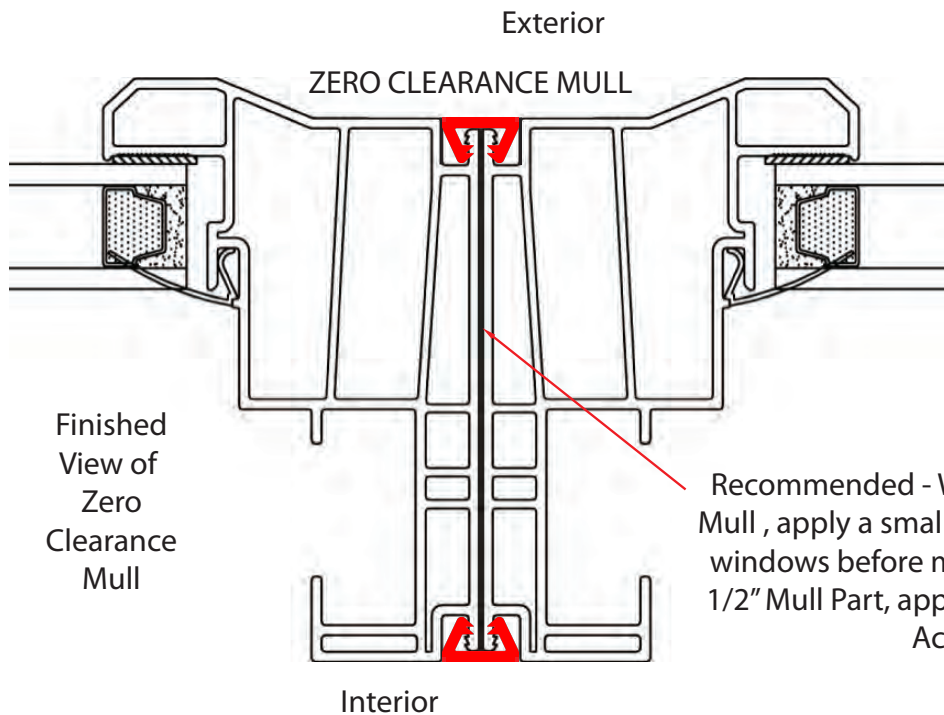


Barbed
Connectors

TOP VIEW ILLUSTRATION



1. Remove Nail Flanges
2. Cut Mull Trims to Height of Window
3. Apply Thin Bead of Silicone Caulk Between Windows for Additional Seal
4. Set Windows Into Opening (Individually or Together)
5. Snap Mull Trims into Accessory Pockets
6. Gently Tap Mull Trim in Place with Flat Wood Block Until Locked, Both Sides



Recommended - When using our Zero Clearance Mull , apply a small bead of silicone caulk between windows before mulling is complete. If using the 1/2" Mull Part, apply thin strips of caulk inside the Accessory Pockets.